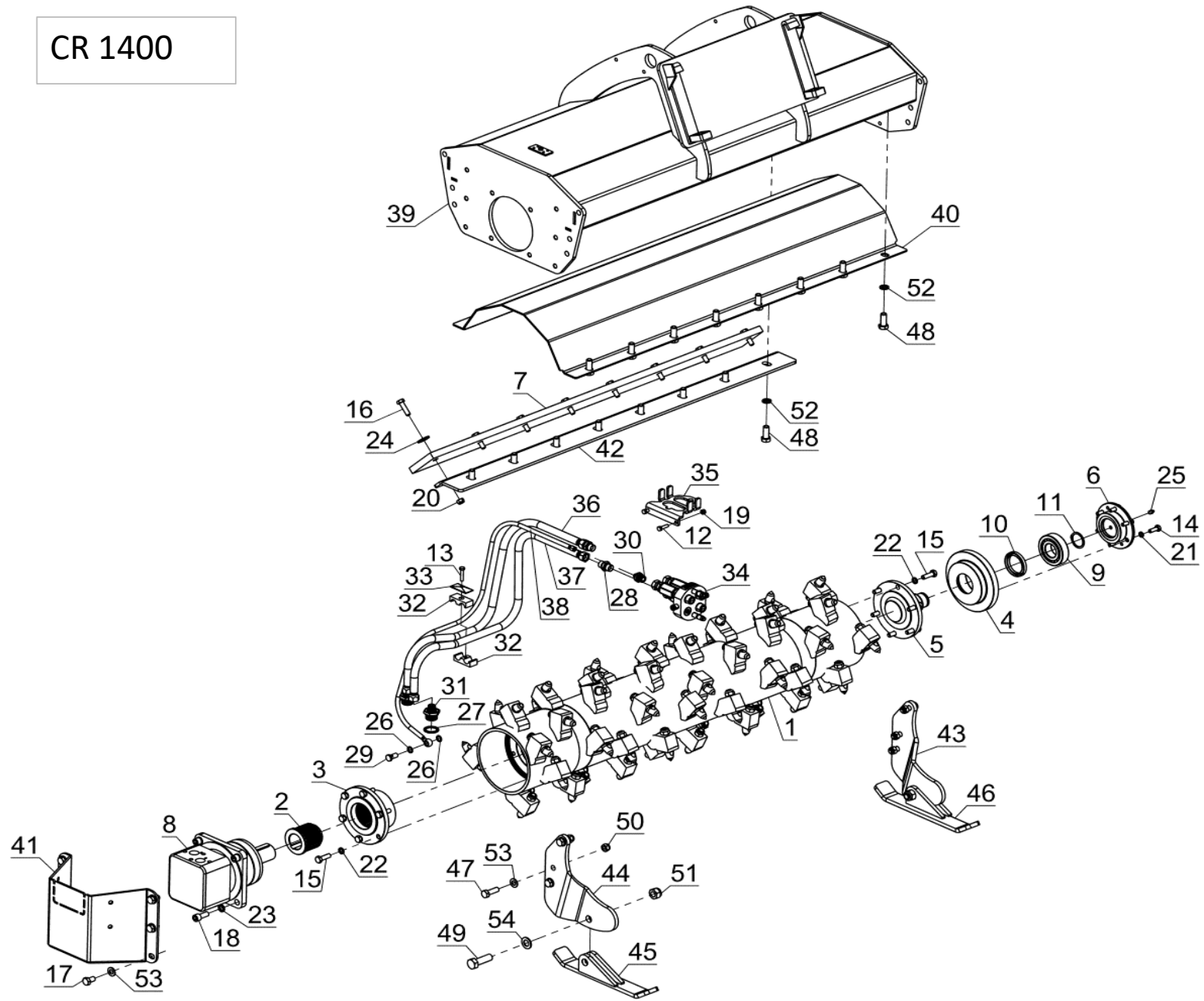
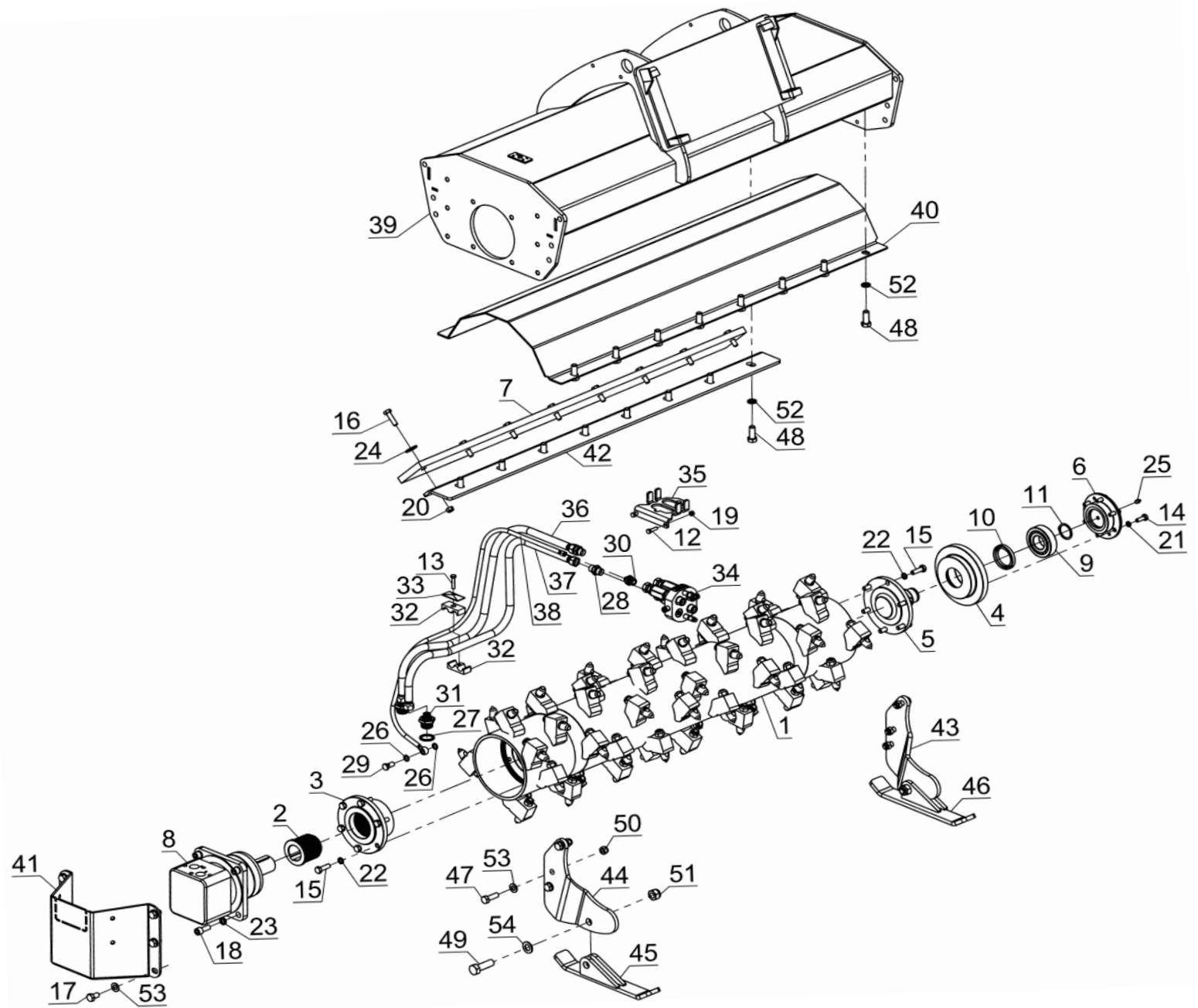


Parts list
Mulcher CR 1400
A436164
2019-

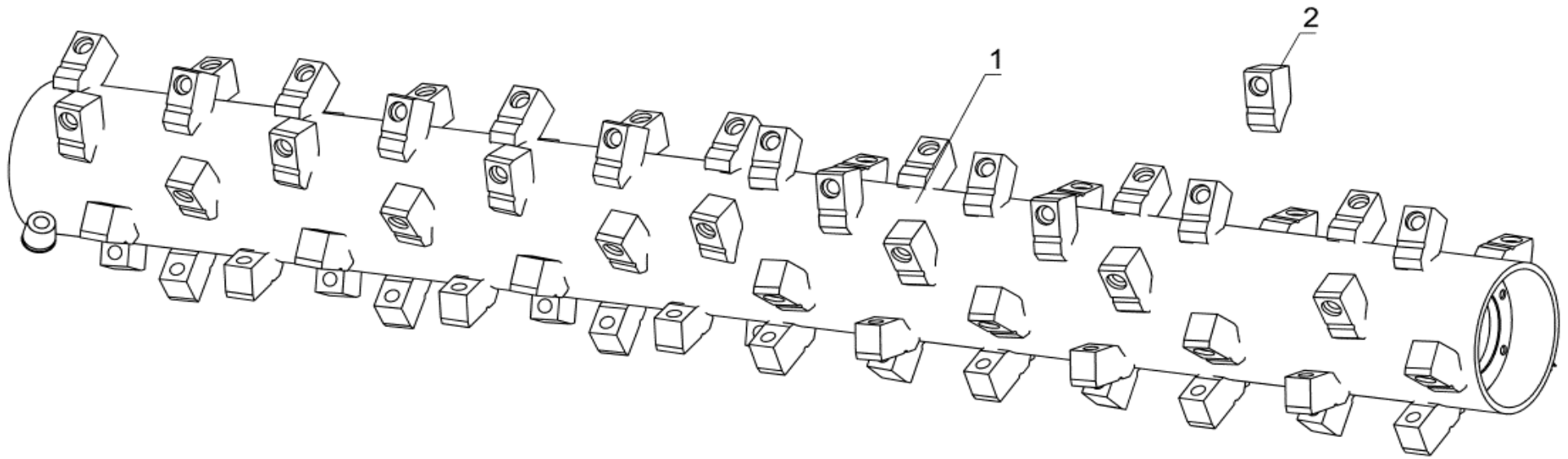
CR 1400



OSA	TILAUSNUMERO	MÄÄRÄ	OSAN NIMI	DESCRIPTION
PART	ORDER NUMBER	QUANTITY		
TEIL	BESTELLNUMMER	ANZHALL		
DEL	BEST.NUMMER	ANTAL		
PARTIE	CODIFICATION	NOMBRE		
PARTE	CODIGO	NÚMERO		
ЧАСТЬ	НОМЕР ЗАКАЗА	КОЛ.		
	615304	1	CR 1400	CR 1400
1	613059	1	ROTOR MC4-140 STD-D19-T25	ROTOR MC4-140 STD-D19-T25
2	613493	1	VETOH. AVANT z24/D50k14	DRIVE FLANGE Z24/D50 k14
3	613061	1	URALAIPPA z24 L79 Avant	SPL.FLANGE Z24 L=79 Avant
4	482735	1	LAAKERIPESÄ MJ	BEARING HOUSING MJ
5	613077	1	LAIPPA-AKSELI MJ:t Avant	FLANGE-SHAFT Avant
6	480475	1	KANSI 150...32	COVER 150...32
7	612397	1	KUMILE 20x120x1326 mj-1.4	RUBBER 20x120x1326 MJ14
8	64354W	1	HYDR.MOOTT. O/MV 315 W	HYDR.MOT. O/MV 315 W
9	30120	1	LAAK 21309 CC PALLOM.R	BEARING 21309 CC
10	40080	1	SÄTI CB 60x80x10	SEAL CB 60x80x10
11	20241	1	LUKKORENGAS A 45 DIN 471	LOCK RING A 45 DIN 471
12	10047	2	KURU M 8x 30 DIN 933	SCREW M 8x 30 DIN 933
13	10050	1	KURU M 8x 40 DIN 933	SCREW M 8x 40 DIN 933
14	10062	6	KURU M10x 30 DIN 933	SCREW M10x 30 DIN 933
15	100801	12	KURU M12x 40 DIN 933 10.9	SCREW M12x 40 DIN 933 10.
16	10081	8	KURU M12x 45 DIN 933	SCREW M12x 45 DIN 933
17	10100	6	KURU M14x 25 DIN 933	SCREW M14x 25 DIN 933
18	10392	4	KUKORU M14x35 DIN 912	AL.SCREW M14x35 DIN 912
19	10486	2	KUMU M 8 NYLOC DIN 985/8	NUT M 8 NYLOC DIN 985/8
20	10488	8	KUMU M12 NYLOC DIN 985/8	NUT M12 NYLOC DIN 985/8
21	20018	6	ALUSLEVY M10 NORD-LOCK	WASHER M 10 NORD-LOCK
22	20019	12	ALUSLEVY M12 NORD-LOCK	WASHER M12 NORD-LOCK
23	200192	4	ALUSLEVY M14 NORD-LOCK	WASHER M14 NORD-LOCK
24	20030	8	KORILAATTA M12 DIN9021	WASHER M12 DIN9021

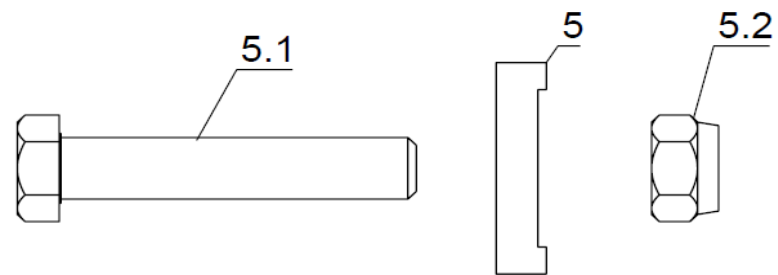
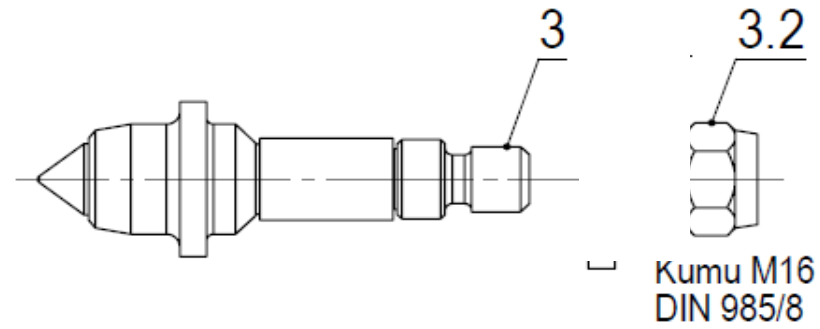
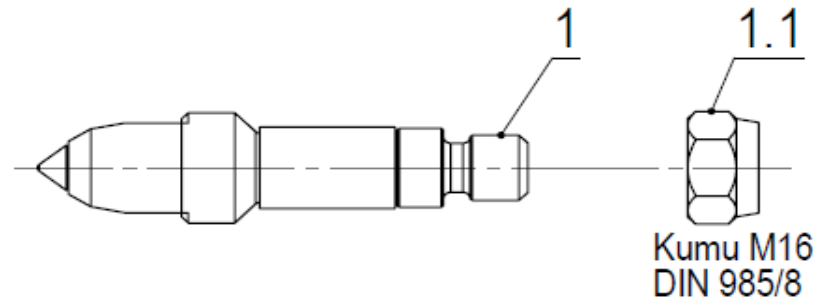


OSA	TILAUSNUMERO	MÄÄRÄ	OSAN NIMI	DESCRIPTION
PART	ORDER NUMBER	QUANTITY		
TEIL	BESTELLNUMMER	ANZHALL		
DEL	BEST.NUMMER	ANTAL		
PARTIE	CODIFICATION	NOMBRE		
PARTE	CODIGO	NÚMERO		
ЧАСТЬ	НОМЕР ЗАКАЗА	КОЛ.		
	615304	1	CR 1400	CR 1400
25	61601	1	RASVANIPPA R1/8	GREASE NIPPLE R1/8
26	60418	2	CU-TIIVISTE 1/4"	CU-SEAL 1/4" 10x14x1.5
27	61807	2	TIIVISTE USIT 16	SEAL USIT 16
28	60614	2	KAKSOISNIPPA 08	DOUBLE NIPPLE 08
29	60408	1	BANJOPULTTI BSP R 1/4"	BANJO BOLT R1/4"
30	60631	1	SUPISTUSNIPPA 04-08	CONNECTION NIPPLE 04-08
31	60642	2	SUPISTUSNIPPA 08-16	CONNECTION NIPPLE 08-16
32	61937	2	PUTKENKIINN. kakso D21,3	PIPE FASTENER 2xD21,3
33	619374	1	PEITELEVY GD 3 D	COVER PLATE H321,3/21
34	61990	1	SARJAPIKALIITIN 3*LIITIN	HYDR. CONNECTOR Avant
35	61991	1	PIKALIITINRYHMÄN TELINEL.	HOSE BRAKET Avant
36	L08R21600SS	1	LAS 08 R2 1600 S S	LAS 08 R2 1600 S S
37	L06R21600SS	1	LAS 06 R2 1600 S S	LAS 06 R2 1600 S S
38	L04R21800SB	1	LAS 04 R2 1800 S B	LAS 04 R2 1800 S B
39	615305	1	RUNKO CR 1400	FRAME CR 1400
40	613743	1	KULUTUSLEVY MC4-140	HDX LINER MC4-140
41	613494	1	SUOJA MJ:t Avant	COVER MJ Avant
42	613744	1	VASTATERÄ MC4-140	COUNTER BLADE MC4-140
43	613501	1	KIINNIKE TUKIS. MC4 R	MOUNTING PLATE MC4- R
44	613503	1	KIINNIKE TUKIS. MC4 L	MOUNTING PLATE MC4- L
45	614079	1	SUKSI MC L nivel	SKID MC L joint
46	614099	1	SUKSI MC R nivel	SKID MC R joint
47	10104	6	KURU M14x 45 DIN 933	SCREW M14x 45 DIN 933
48	10130	16	KURU M16x 40 DIN 933	SCREW M16x 40 DIN 933
49	10158	2	KURU M20x 65 DIN 933	SCREW M20x 65 DIN 933
50	10489	6	KUMU M14 NYLOC DIN 985/8	NUT M14 NYLOC DIN 985/8
51	10492	2	KUMU M20 NYLOC DIN 985/8	NUT M20 NYLOC DIN 985/8
52	20020	16	ALUSLEVY M16 NORD-LOCK	WASHER M16 NORD-LOCK
53	20052	12	ALUSLAATTA M14 DIN 125A	WASHER M14 DIN 125
54	20055	2	ALUSLAATTA M20 DIN 125	WASHER M20 DIN 125



OSA	TILAUSNUMERO	MÄÄRÄ	OSAN NIMI	DESCRIPTION
PART	ORDER NUMBER	QUANTITY		
TEIL	BESTELLNUMMER	ANZHALL		
DEL	BEST.NUMMER	ANTAL		
PARTIE	CODIFICATION	NOMBRE		
PARTE	CODIGO	NÚMERO		
ЧАСТЬ	НОМЕР ЗАКАЗА	КОЛ.		
	613059	1	ROTOR MC4-140 STD-D19-T25	ROTOR MC4-140 STD-D19-T25
1	613059	1	ROTOR MC4-140 STD-D19-T25	ROTOR MC4-140 STD-D19-T25
2	840021	60	TERÄNP. STD-19	C-HOLDER STD-19

Terävaihtoehdot / Cutter options:



OSA	TILAUSNUMERO	MÄÄRÄ	OSAN NIMI	DESCRIPTION
PART	ORDER NUMBER	QUANTITY		
TEIL	BESTELLNUMMER	ANZHALL		
DEL	BEST.NUMMER	ANTAL		
PARTIE	CODIFICATION	NOMBRE		
PARTE	CODIGO	NÚMERO		
ЧАСТЬ	НОМЕР ЗАКАЗА	КОЛ.		

			TERÄ-VAIHTOEHDOT	CUTTER OPTIONS
1	84000	60	TERÄ 19-27-M16-11	CUTTER 19-27-M16-11
1.1	10490	60	KUMU M16 NYLOC DIN 985/8	NUT M16 NYLOC DIN 985/8
3	84006X	60	TERÄ 19-38-M16-17	CUTTER 19-38-M16-17
3.2	10490	60	KUMU M16 NYLOC DIN 985/8	NUT M16 NYLOC DIN 985/8
5	614342	60	Terä STD 12x55x55	Cutter STD 12x55x55
5.1	101497	60	KURU M18x 85 DIN 931	SCREW M18x 85 DIN 931
5.2	10491	60	KUMU M18 NYLOC DIN 985/8	NUT M18 NYLOC DIN 985/8